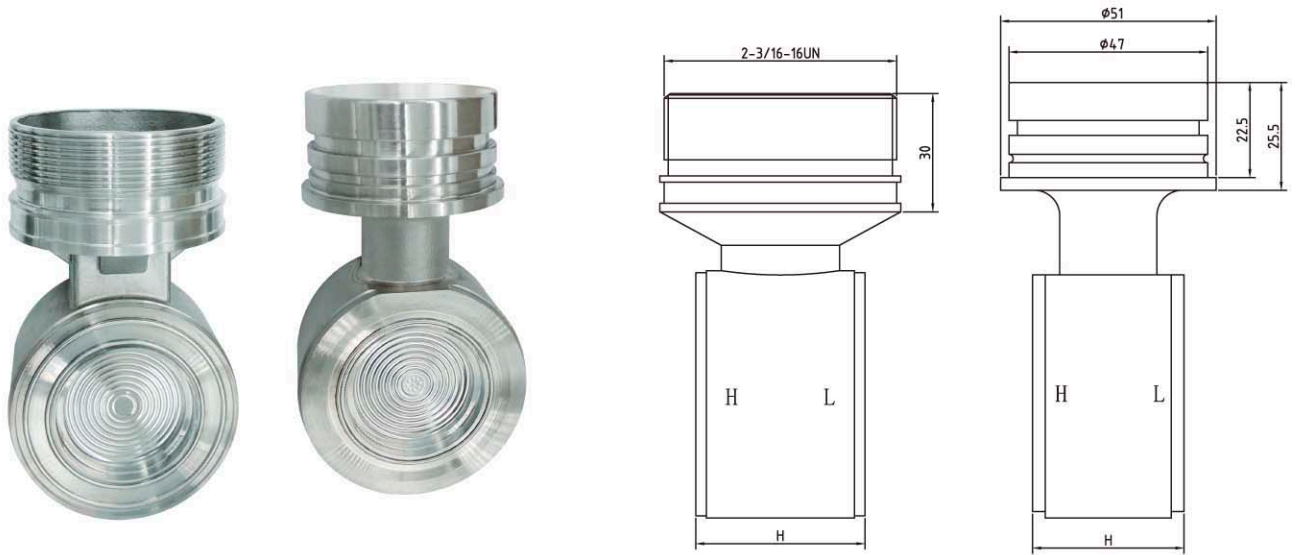


## Pressure Sensor



### ■ PERFORMANCE

Item	Parameters		
Accuracy	±0.1 %		
Stability	±0.2% ( 12 Months)		
Temp Range	-40 °C ~ + 140 °C		
Temp Affect	Zero Error:	±0.25 %/ 55 °C	
	Range Error:	±0.5 %/ 55 °C	
Static Pressure	DP 13.8MPa	HP 25MPa	DR 6.9MPa
Diaphragm Material	316LSS	Hastelloy C	Tantalum

### ■ RANGE

Code	Range (Kpa)	DR	AP	GP	DP	HP
2	0~1.5 Kpa	●		●		
3	0~7.5 Kpa			●	●	
4	0~37.4 Kpa		●	●	●	●
5	0~186.8 Kpa		●	●	●	●
6	0~690 Kpa		●	●	●	●
7	0~2068 Kpa		●	●	●	●
8	0~6890 Kpa		●	●	●	
9	0~20680 Kpa			●		